



MSK Brooklyn Infusion Center

LOCATION
Brooklyn, NY

COMPLETION
2012

AREA
8,000 GSF Tenant Improvement

COST
4 Million

OWNER/DEVELOPER
Memorial Sloan-Kettering Cancer Center

DESIGN TEAM
ZGF Architects
AKF Engineers

CONSTRUCTION MANAGER
JGN Construction



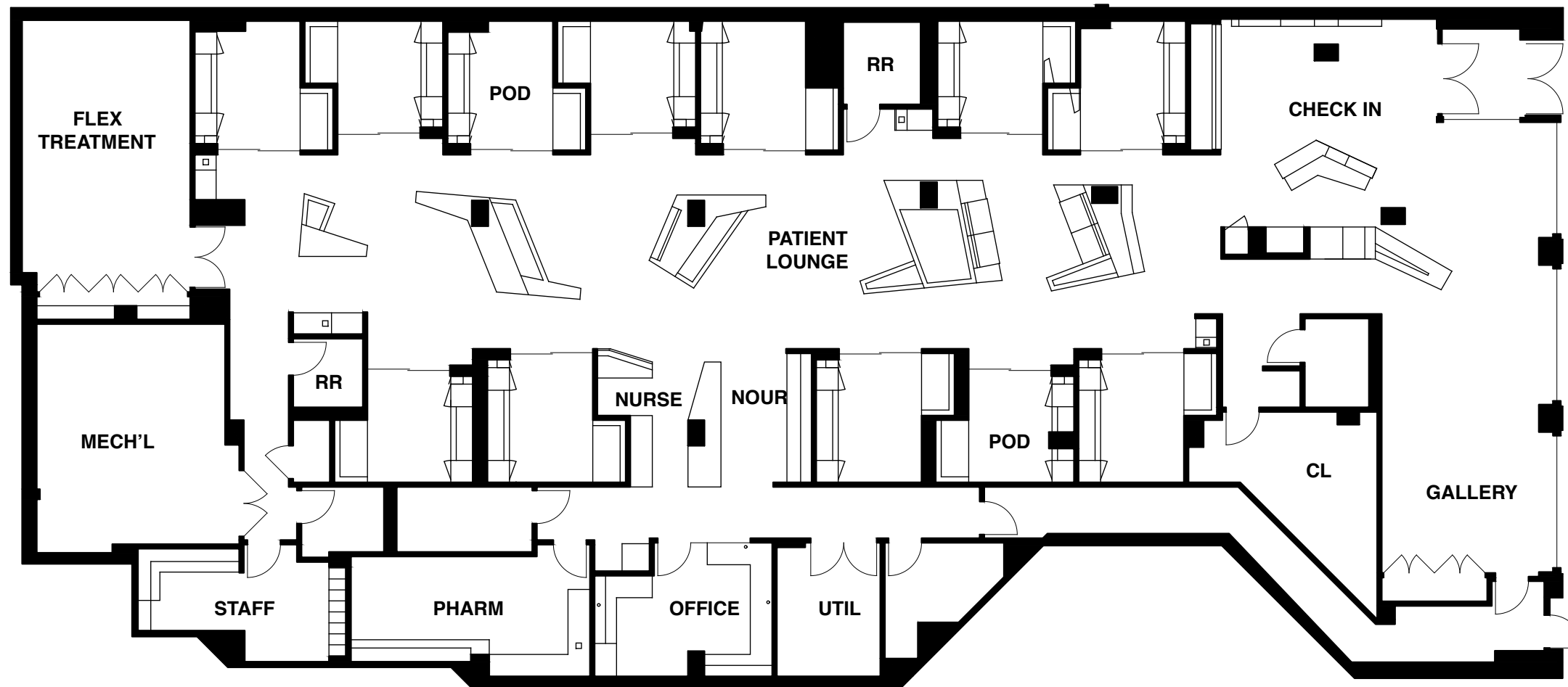
MSK Brooklyn Infusion Center

PROGRAM

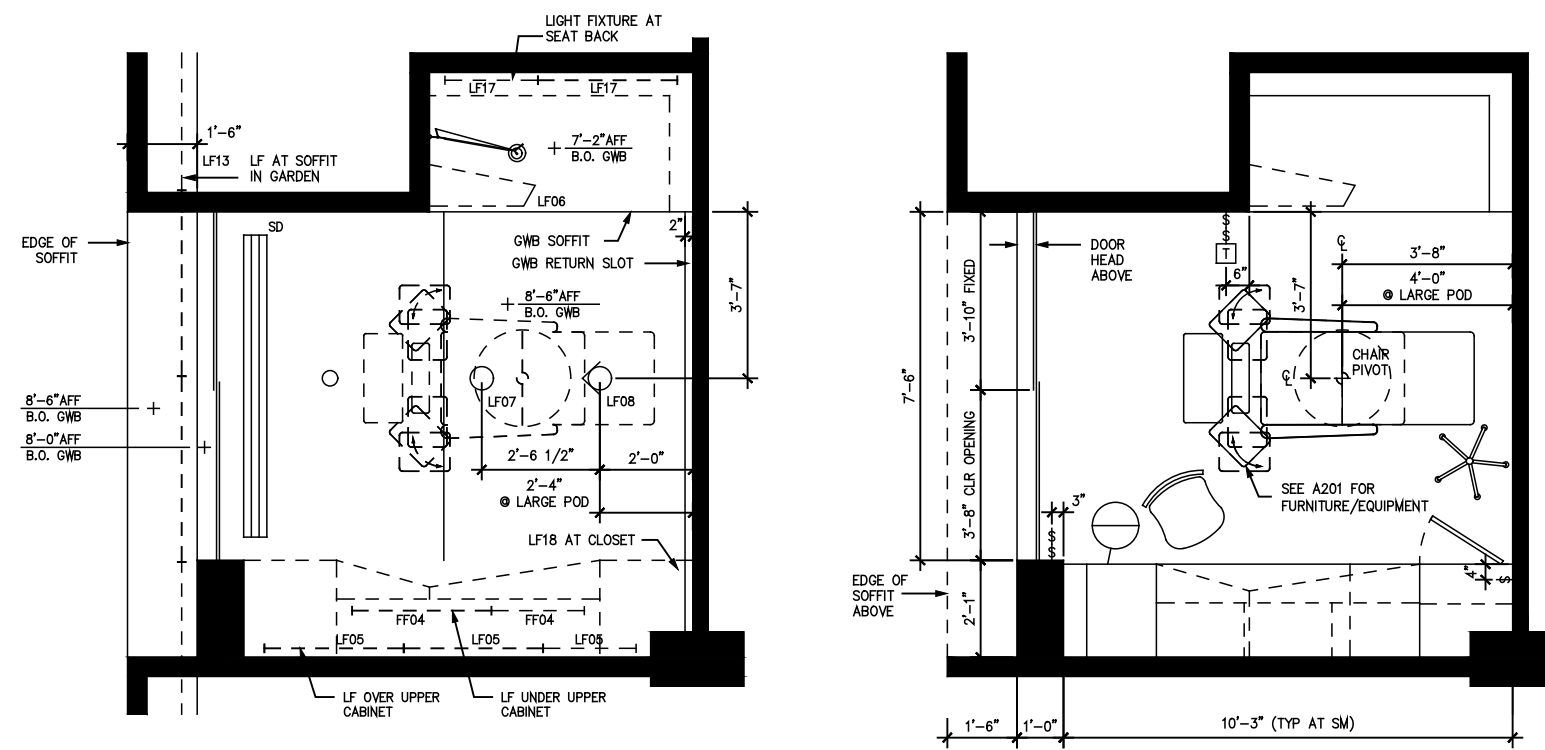
12 Infusion Rooms
 Nourishment and Nursework
 Educational and Community Gallery
 Flex room for Teled and group activities
 Pharmacy and Staff Lounge

PROJECT DESCRIPTION

The BIC is part of MSK Cancer Center's facilities for delivering chemotherapy treatment to patients with cancer. MSK has started to locate these infusion centers away from the main hospital campus in Manhattan. This location is in the heart of Brooklyn within walking distance of a number of major public transit lines; subway, bus and Long Island Railroad. As such, it is able to serve a large group of select patients that would otherwise be required to travel to the city to receive treatment. This particular satellite location also serves as a testbed for improving the delivery of patient care and transforming the experience, in effect, changing the clinical environment to one that is patient-centric.



FLOOR PLAN



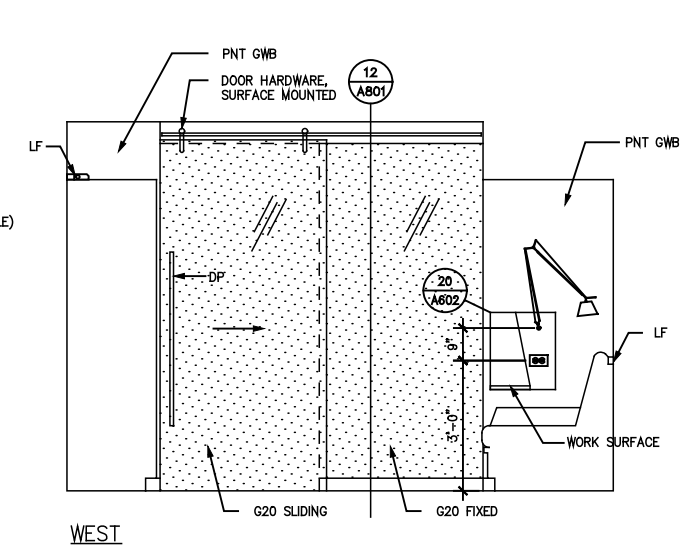
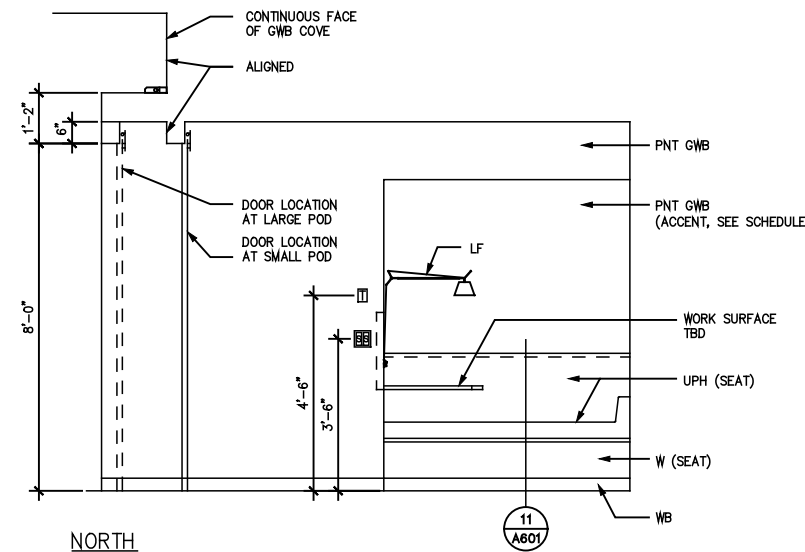
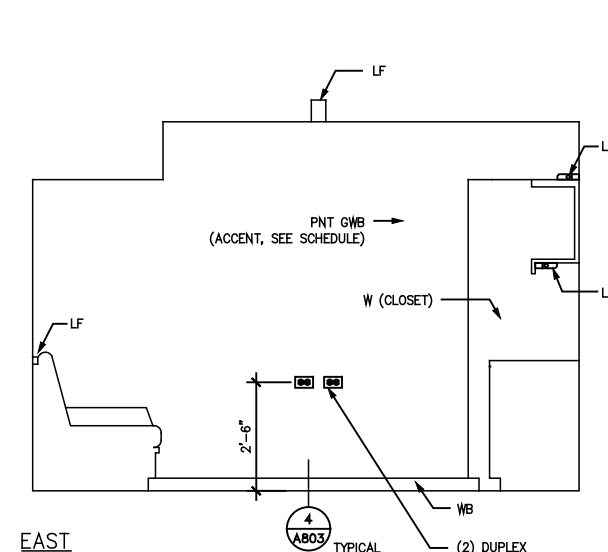
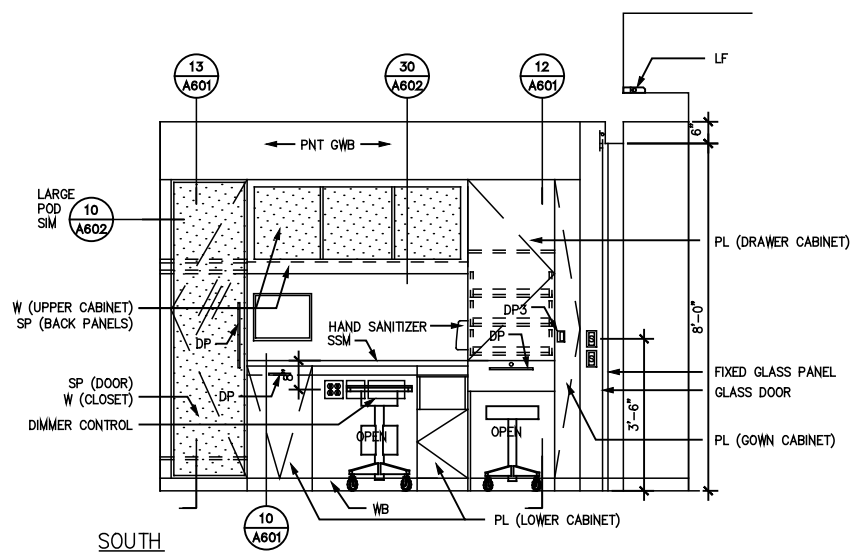
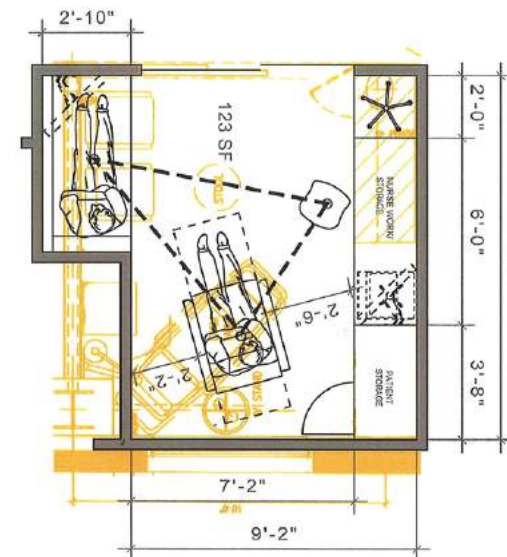
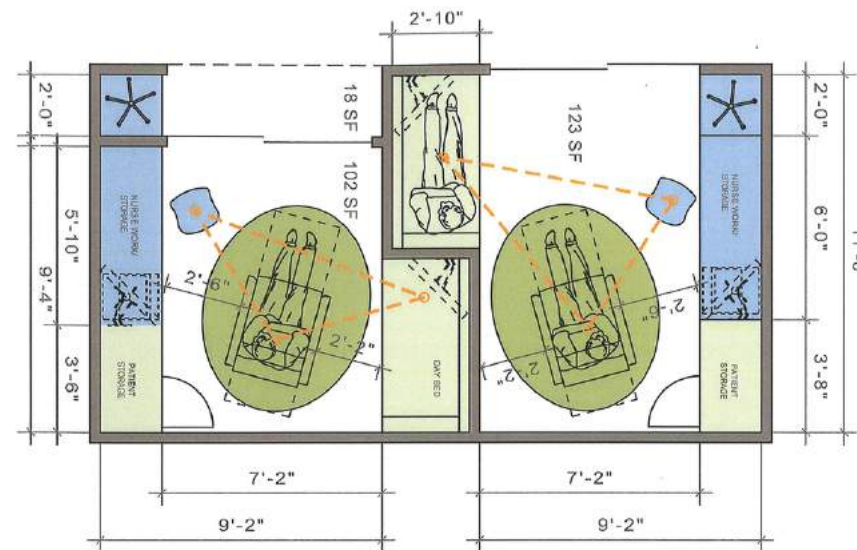
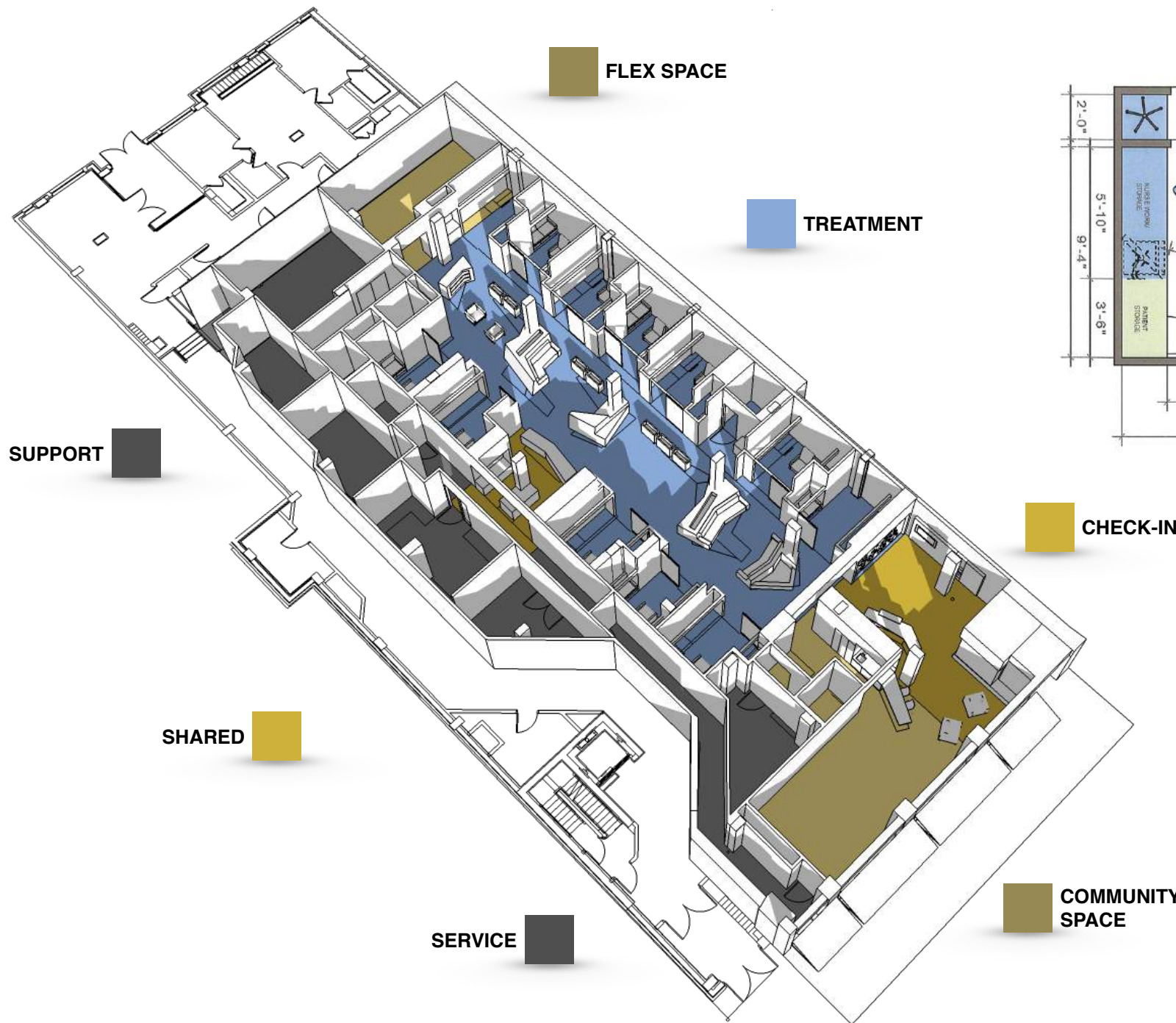
TYPICAL TREATMENT POD



MSK Brooklyn Infusion Center

PROCESS

People that undergo chemotherapy to treat their cancer are often required to make repeat visits over the course of weeks, months or longer. Those that require supervision but not the full services of a hospital setting are likely candidates for this type of facility. The traditional hospital setting typically is structured around clinical protocol, a rigid delivery methodology, and one-size fits all approach to service. The challenge for the design team and the institution was to create a healing environment that reduced patient stress by focusing on patient choice and control of their surroundings. The BIC provides MSK the opportunity to test out new methodologies in a space that reflects a new paradigm in patient care.



MSK Brooklyn Infusion Center

INVOLVEMENT

DD, CD, CA
Project Architect (4 months)

- Developed Systems & Construction Details
- Organized and Document Material Selections
- Prepared Drawing Lists and Cartoon Sets
- Incorporated Zoning & Code Requirements
- Reviewed and Developed Specifications
- Coordinated Consultant Work.

- Contract Administration OAC Representation
- Document Control
- Review of Submittals
- Coordination of A/E Additional Services
- Production of ASI/Sketch and Specification revisions
- RFI Responses
- Field Reports



MSK Brooklyn Infusion Center

PROCESS

At this facility the infusion process has been streamlined to ensure patients are 'chemo-ready' with prior blood-work and on-demand drug delivery. There is no wait time and therefore, no traditional waiting room. Patients are able to check in and proceed to the treatment room of their choice. In place of a waiting room is a gallery and educational outreach space that encourages storytelling through artist and patient works and fosters a learning partnership with the community.



PATIENT INVOLVEMENT
PATIENT WAITING
PATIENT FREE

	CHEMO READY	TRAD DELIVERY	
DAY BEFORE	BLOODS AND VITALS	CHECK IN	
	VISIT PHYSICIAN	WAIT	
	LEAVE FACILITY	BLOODS AND VITALS	
	PROCESS LABS	PROCESS LABS	
	PHONE ASSESSMENT	VISIT PHYSICIAN	
	MODIFY TREATMENT	MODIFY TREATMENT	
	CUE PHARMACY	CUE PHARMACY	
	DRUG PREPARATION	DRUG PREPARATION	
	DAY OF TREATMENT	PICK PHARMACY	ROOM IN
		DRUG DELIVERY	ASSESSMENT
CHECK IN		START IV	
ROOM IN			



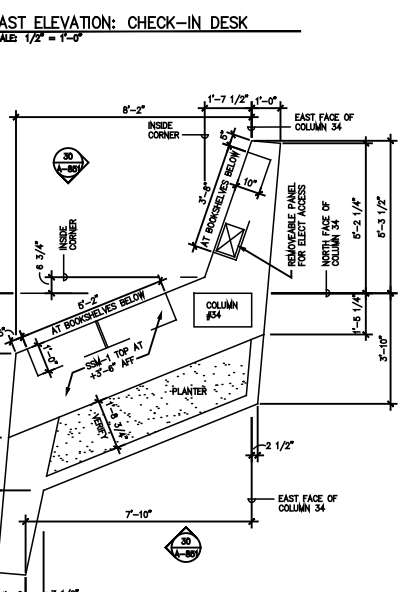
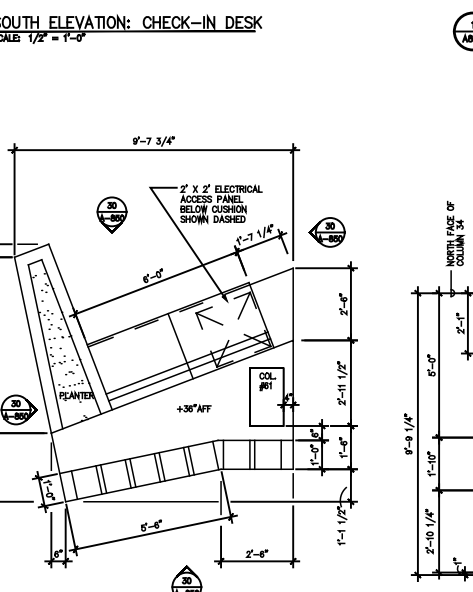
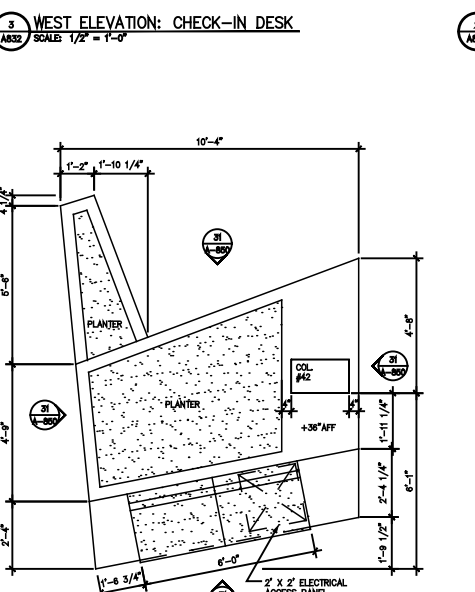
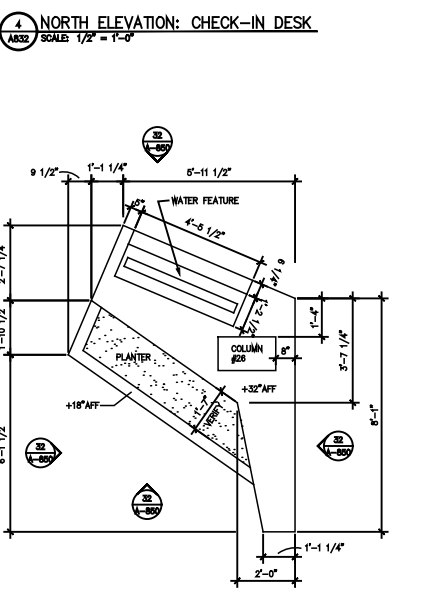
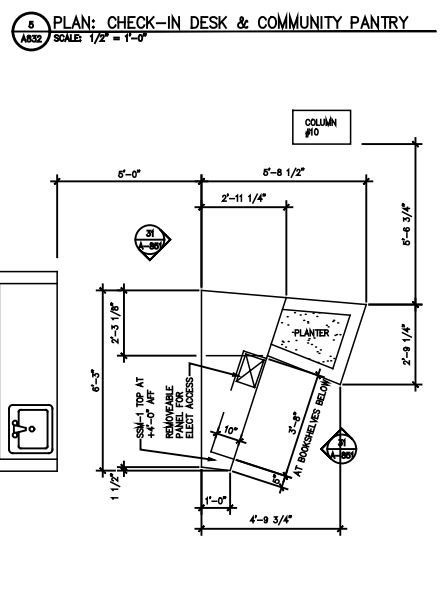
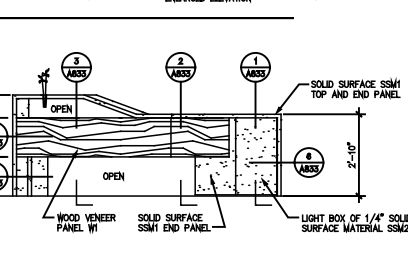
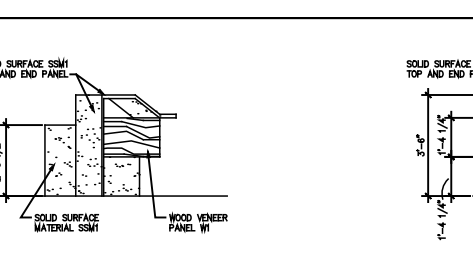
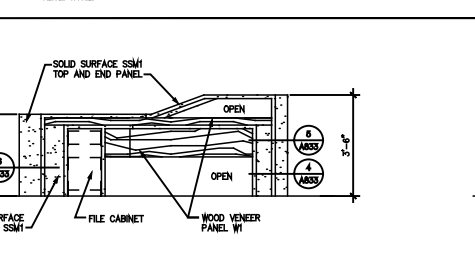
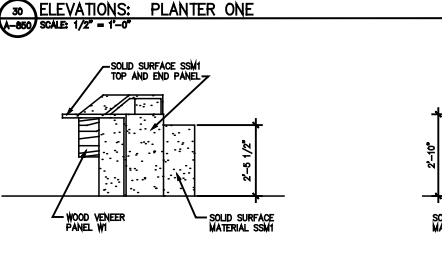
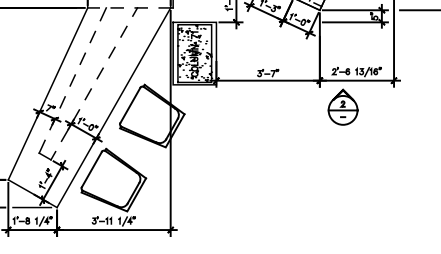
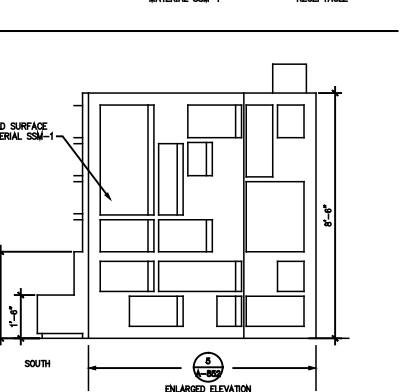
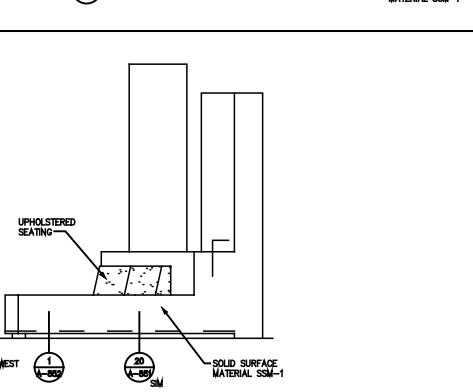
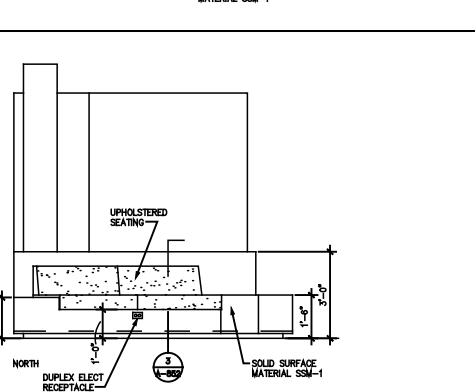
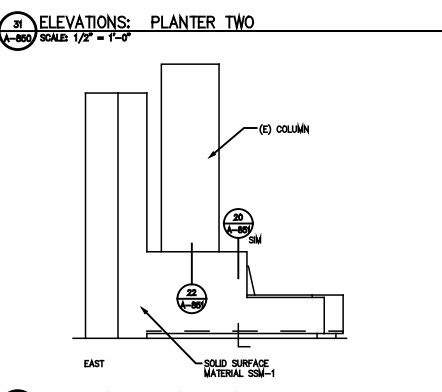
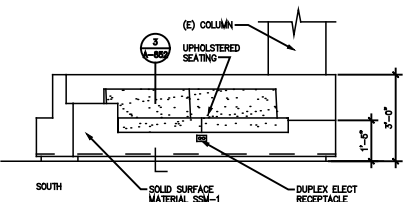
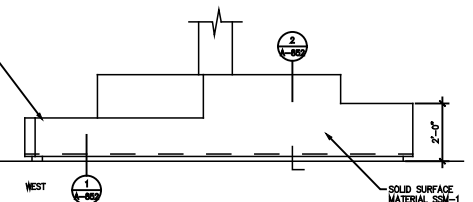
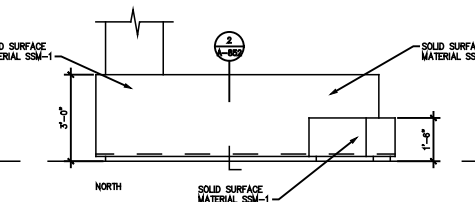
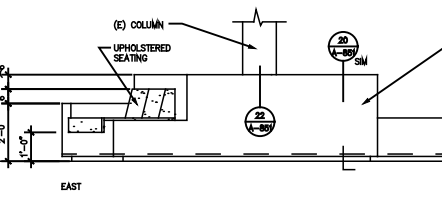
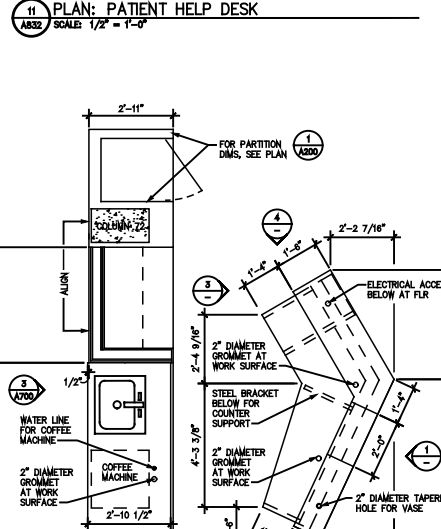
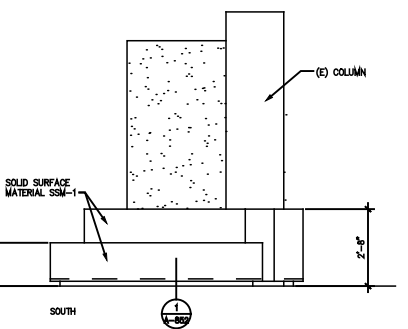
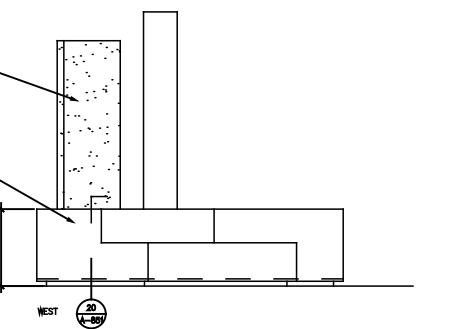
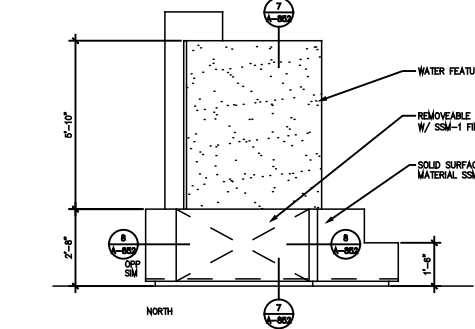
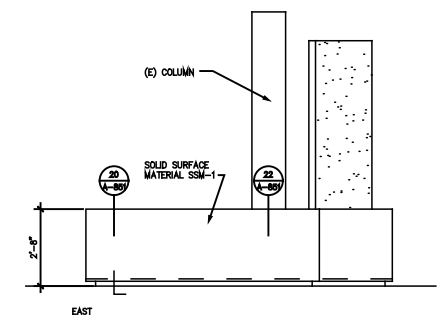
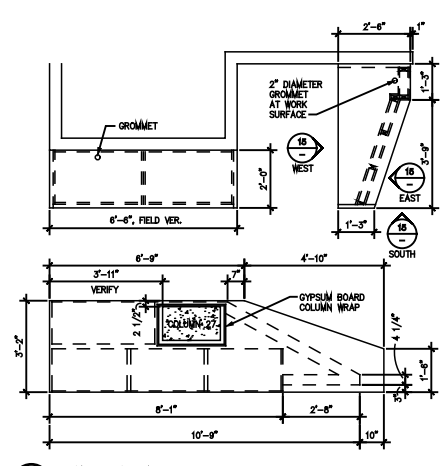
MSK Brooklyn Infusion Center

PROJECT GOALS

In most clinical settings, a nurse station is the hub and focus of the treatment unit. The nurse work area in this case is minimized and pushed to the side allowing a generous open area for patient use. A neighborhood florist maintains planting and cycles seasonal material into the space. A water feature provides some distraction and white noise for privacy and mediation. There are a number of seating and table arrangements that allow for family, healthcare providers or patient interaction. This central space is open and accessible to the treatment rooms that look out onto it from the patients chair.

The infusion rooms, or pods, were designed to accommodate patient choice. From multimedia and entertainment options to temperature and lighting, more control is given back to the patient to adjust their environment. The pods open onto the central space with fixed lite and sliding glass doors. An etched glass pattern provides enough privacy while allowing a view for the patient and for the nurse staff. The sliding door maximizes the patients control of openness or privacy. Within the pod, wood and laminate materials create distinct zones, allowing the patient to feel they can occupy the space. A place for personal items and a closet for jackets and bags is provided. The hand sinks are moved to smaller alcoves outside the pod and medical supplies and waste receptacles are removed from direct view.





MSK Brooklyn Infusion Center

PATIENT LOUNGE

